

- Hex Body Type with Vent, Male - Female Connection
- SS 316/316L Bar stock construction
- Standard Working Pressure 6,000 PSI with PTFE packing.
- Optional 10,000, 15,000 & 20,000 PSI available on request
- Grafoil offered for higher temperatures.
- Standard NPT End Connections.
- Heat Code Traceability.
- NACE MR-01-75 Compliant materials available on request.
- 3.1 Certificates furnished.
- PMI certificates available on request

**Optional Materials Available :**

SS 316L, Hastelloy C276, Monel

**Temperature Rating :**

PTFE 450°F (232°C) Grafoil 700°F (371°C)

**Body :** Normal Body Type

**Inlet :** MNPT

**Outlet :** FNPT

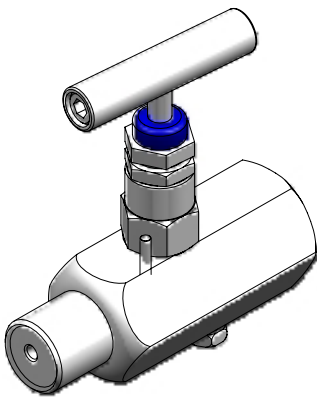
**Bonnet Assembly :**

Screwed Bonnet Design

Back Seat Blow Out proof

Spindle - Ground and thread rolled, packing below the threads

Spindle Tip - Non-Rotating tip shut-of type & soft Seated



\*For any other material / size combinations, please contact the sales department.

\*All specifications are subject to change without notice

\*All sales subject to standard terms and conditions.

**Magwell LLC**

537 Cajundome Boulevard, Suite 111

Lafayette LA 70506, USA

info@magwellus.com

(888) 624-9355

